

## Compressor Technical Data

Model **EGM99AZ** Code **553090310816**

**LBP**

### General Data

Refrigerant:	R134a
Application:	LBP
Evaporating Temperature Range:	-30°C to -10°C
Voltage/Frequency:	220-240V 50Hz 1~
Compressor Cooling:	Static
Expansion Device:	Capillary Tube
Packaging Quantity:	Multi - 96:120 pcs
Approvals:	CE-VDE-GOST



### Mechanical Data

Oil Charge:	350 cm3
Oil Type Configuration:	ester
Oil Type Viscosity:	19 cSt
Weight:	10.25 kg

### Electrical Data

Motor Type:	RSIR / RSCR*
Voltage working range at 50 Hz:	187-264V
Maximum Motor Temperature:	130°C
Locked Rotor Current:	14.49 / 10.19 A
Start Winding Resistance:	25.08Ω at 25°C
Run Winding Resistance:	7.33 Ω at 25°C
Phase :	1 ph

### External Characteristics

Internal Diameter	(mm)
Suction Connector	6.5
Discharge Connector	4.9
Process Connector	6.5
Material	Copper

### Electrical Components

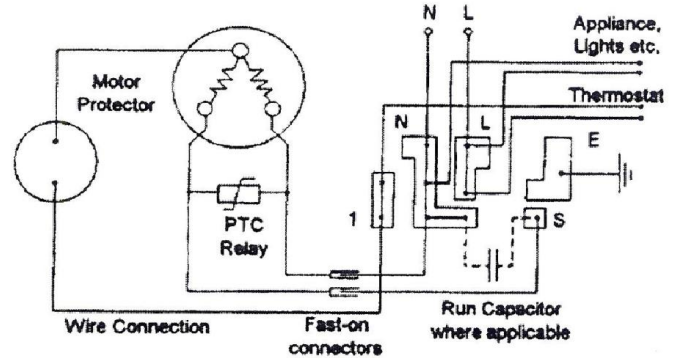
Component Type	
Starting Device:	PTC 14Ω
Motor Protection:	T0137/xx

MCMC compressors reserves the right to change the data without prior notice

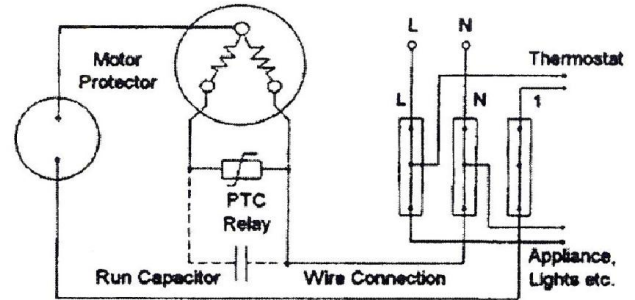
10th of Ramadan City - (Cairo) Egypt  
Industrial Zone A-2  
P.o Box : 1001 ( 10th of Ramadan )  
Tel. : 0554 - 413322 ( 10 lines )  
Fax. : 0554 - 413161 - 413029  
Web site : <http://www.zmcegypt.com>



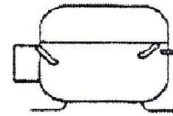
Circuit Diagram for Mod.90 Terminal Board



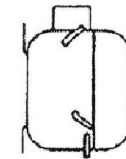
Circuit Diagram for U.H. Terminal Board



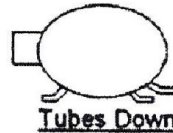
Recommended Transport  
Positions when fitted into  
appliances



Upright



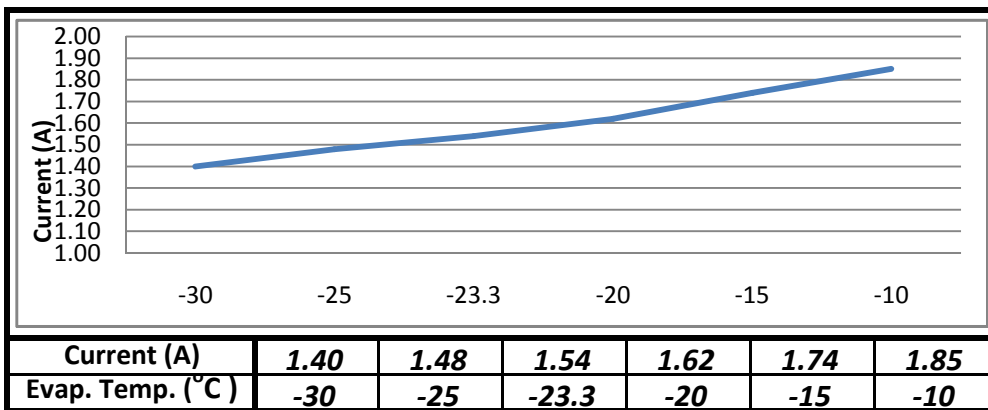
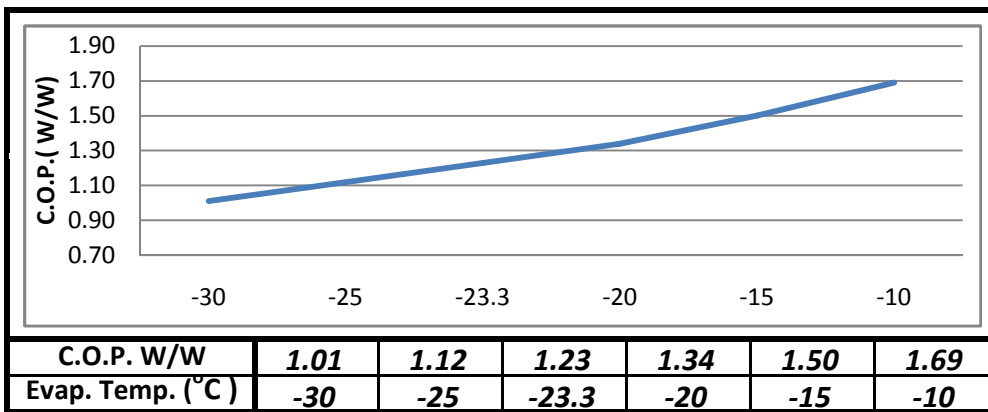
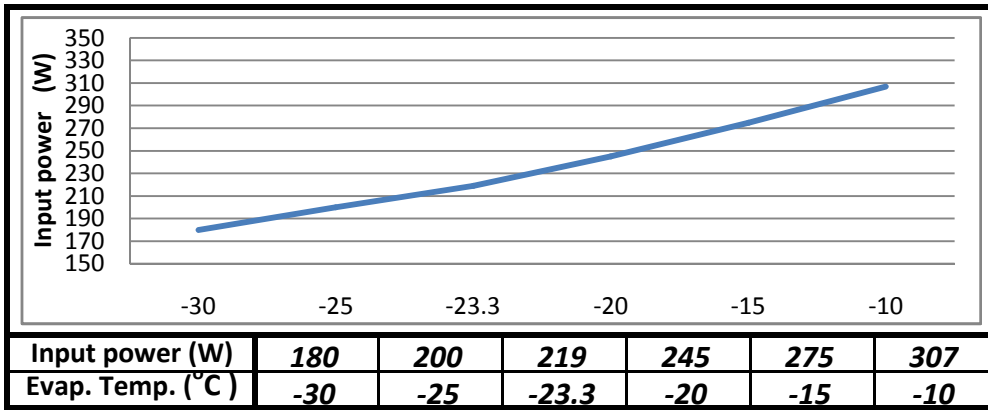
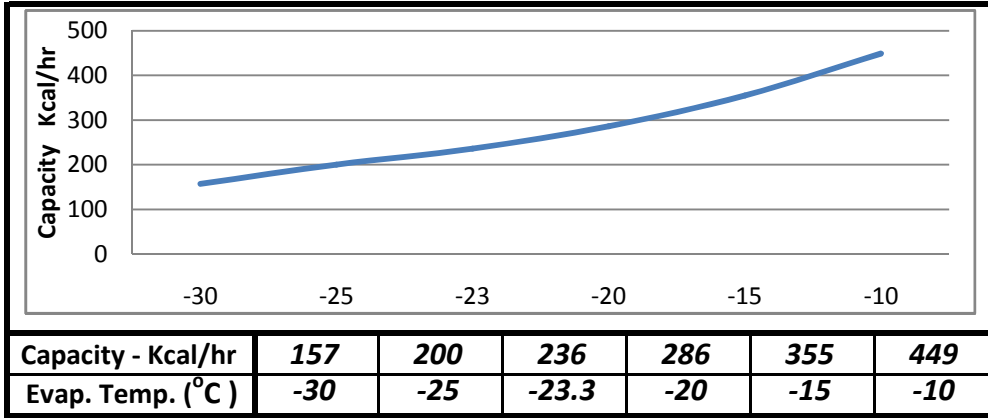
Electrics Up



Tubes Down

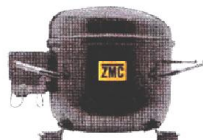
العاشر من رمضان  
المنطقة الصناعية أ - ٢  
ص.ب : ١٠٠١ العاشر من رمضان  
تليفون : ٤١٣٣٢٢ - ٠٥٥٤ ( ١٠ خطوط )  
فاكس : ٤١٣١٦١ - ٤١٣٠٢٩ ( ٠٥٥٤ )

**PERFORMANCE CURVE DATA :**



Test Condition: Ashrae, Static, Return Gas 32°C Subcooling OK, Evaporating: 23.3°C, Condensing: 55°C, Ambient: 32°C

10th of Ramadan City - (Cairo) Egypt  
 Industrial Zone A-2  
 P.o Box : 1001 ( 10th of Ramadan )  
 Tel. : 0554 - 413322 ( 10 lines )  
 Fax. : 0554 - 413161 - 413029  
 Web site : <http://www.zmcegypt.com>



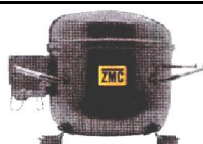
العاشر من رمضان  
 المنطقة الصناعية أ - ٢  
 ص.ب : ١٠٠١ العاشر من رمضان  
 تليفون : ٤١٣٣٢٢ - ٠٥٥٤ ( ١٠ خطوط )  
 فاكس : ٤١٣١٦١ - ٤١٣٠٢٩ ( ٠٥٥٤ )

GM, GN and GL models		HL and HP models	
Standard dimensions for mounting hole centres: 170x70 mm			
<b>Special feet</b>			
Models	Distance between holes	Holes diameter	
GM/GN/HL/HP/GP	165 x 101.6	4 x 19	
	170 x 70	6 x 165	
Tube internal diameter "GM", "GN", "GL", "HL"		"HP" and "GP"	
Material	Suction	Service	Discharge
Copper steel / copper	6.1	6.1	4.9
Copper	6.1	6.1	5.1
Copper	6.5	6.5	4.9
Copper	8.1	8.1	6.5

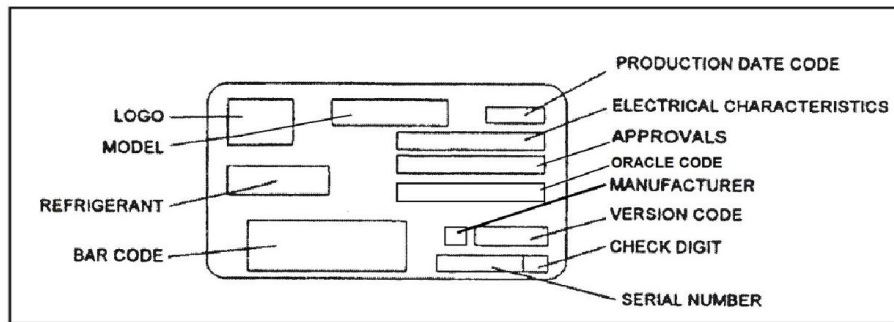
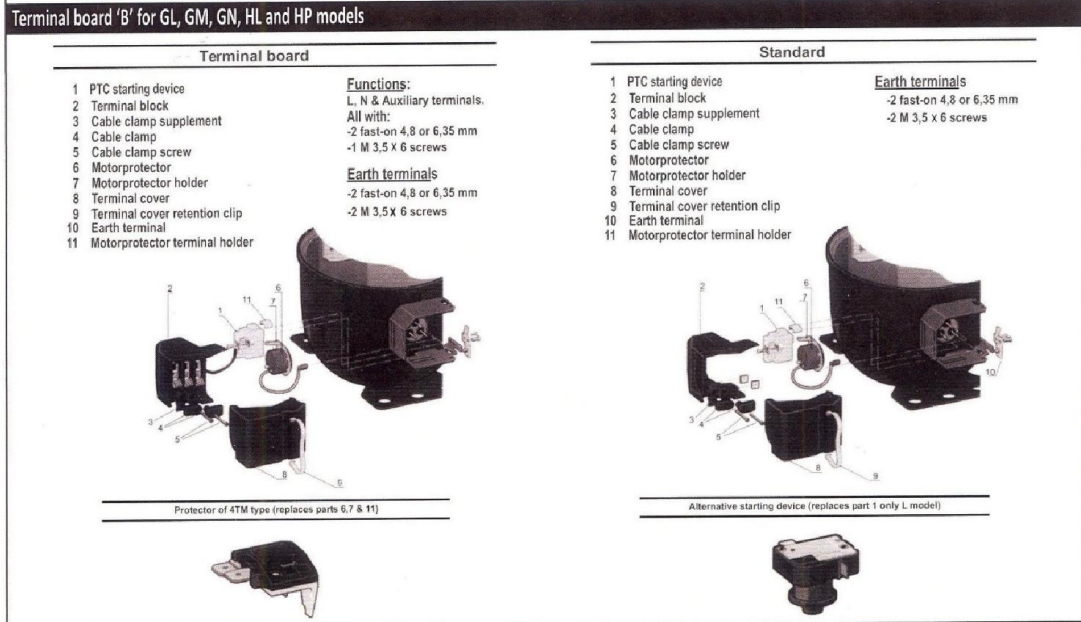
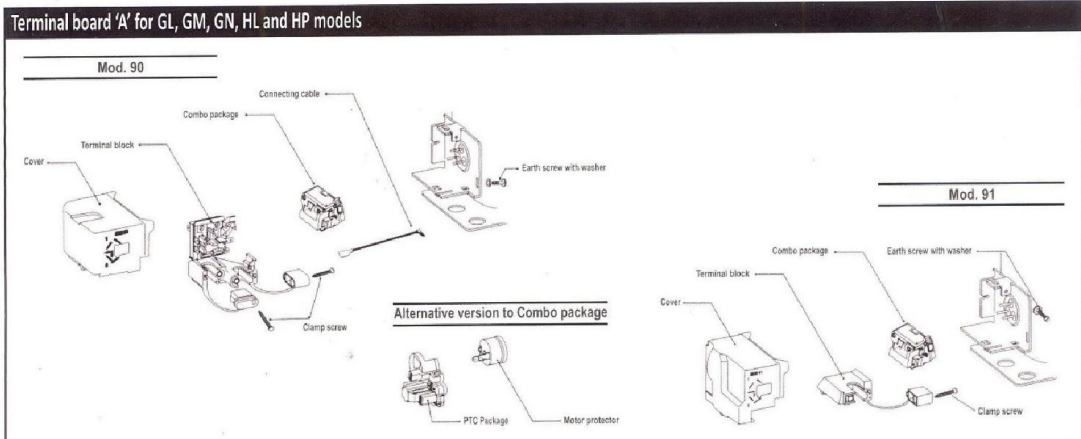
**Mounting accessories**

Standard	Standard

10th of Ramadan City - (Cairo) Egypt  
 Industrial Zone A-2  
 P.o Box : 1001 ( 10th of Ramadan )  
 Tel. : 0554 - 413322 ( 10 lines )  
 Fax. : 0554 - 413161 - 413029  
 Web site : <http://www.zmcegypt.com>



العاشر من رمضان  
 المنطقة الصناعية أ - ٢  
 ص.ب : ١٠٠١ العاشر من رمضان  
 تليفون : ٤١٣٣٢٢ - ٠٥٥٤ ( ١٠ خطوط )  
 فاكس : ٤١٣١٦١ - ٤١٣٠٢٩ ( ٠٥٥٤ )



10th of Ramadan City - (Cairo) Egypt  
 Industrial Zone A-2  
 P.o Box : 1001 ( 10th of Ramadan )  
 Tel. : 0554 - 413322 ( 10 lines )  
 Fax. : 0554 - 413161 - 413029  
 Web site : <http://www.zmcegypt.com>



العاشر من رمضان  
 المنطقة الصناعية أ - ٢  
 ص.ب : ١٠٠١ العاشر من رمضان  
 تليفون : ٠٥٥٤ - ٤١٣٣٢٢ ( ١٠ خطوط )  
 فاكس : ٠٥٥٤ - ٤١٣٠٢٩ - ٤١٣١٦١