

Compressor Technical Data

Model **HL99AH** Code **086020393016**

LBP

General Data

Refrigerant:	R600a
Application:	LBP
Evaporating Temperature Range:	-30°C to -10°C
Voltage/Frequency:	220-240V 50Hz 1~
Compressor Cooling:	Static
Expansion Device:	Capillary Tube
Packaging Quantity:	Multi - 96:120 pcs
Approvals:	CE-VDE-GOST



Mechanical Data

Oil Charge:	400 cm3
Oil Type Configuration:	Mineral
Oil Type Viscosity:	15 cSt
Weight:	9.9 kg

Electrical Data

Motor Type:	RSCR
Voltage working range at 50 Hz:	187-264V
Maximum Motor Temperature:	130°C
Locked Rotor Current:	9.9 / 5.1 A
Start Winding Resistance:	22.20 Ω at 25°C
Run Winding Resistance:	16.20Ω at 25°C
Phase :	1 ph

External Characteristics

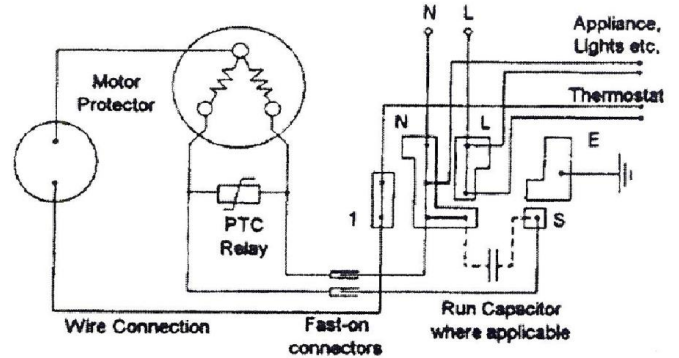
Internal Diameter	(mm)
Suction Connector	6.5
Discharge Connector	4.9
Process Connector	6.5
Material	Copper

Electrical Components

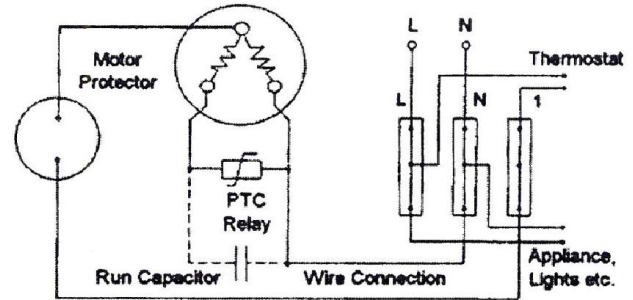
Component Type	
Starting Device:	PTC 14Ω
Motor Protection:	T0505/xx 3μF

MCMC compressors reserves the right to change the data without prior notice

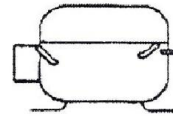
Circuit Diagram for Mod.90 Terminal Board



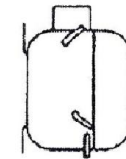
Circuit Diagram for U.H. Terminal Board



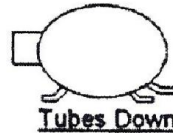
Recommended Transport
Positions when fitted into
appliances



Upright

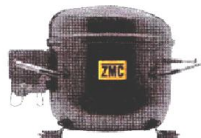


Electrics Up



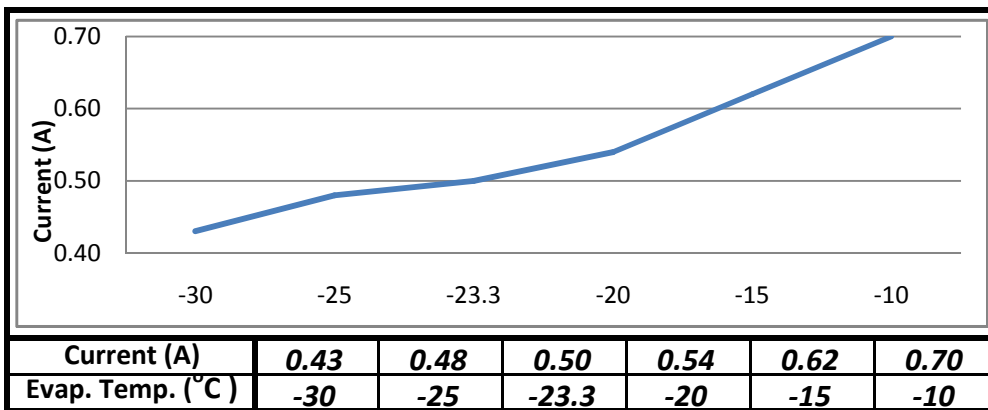
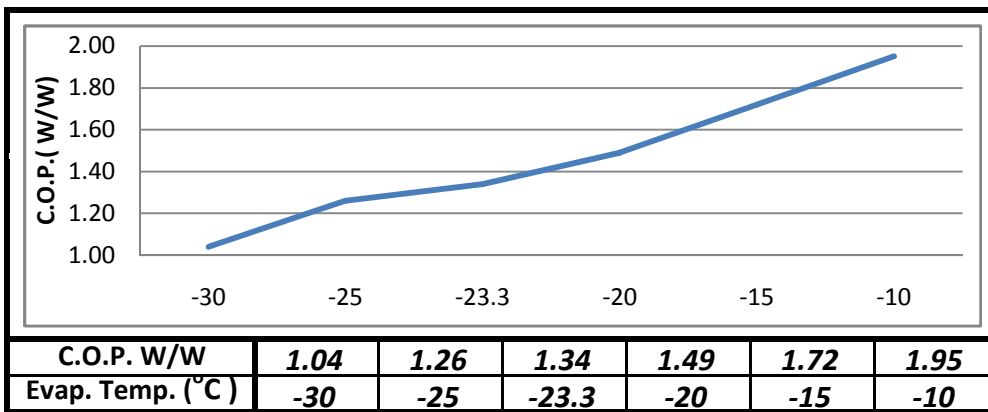
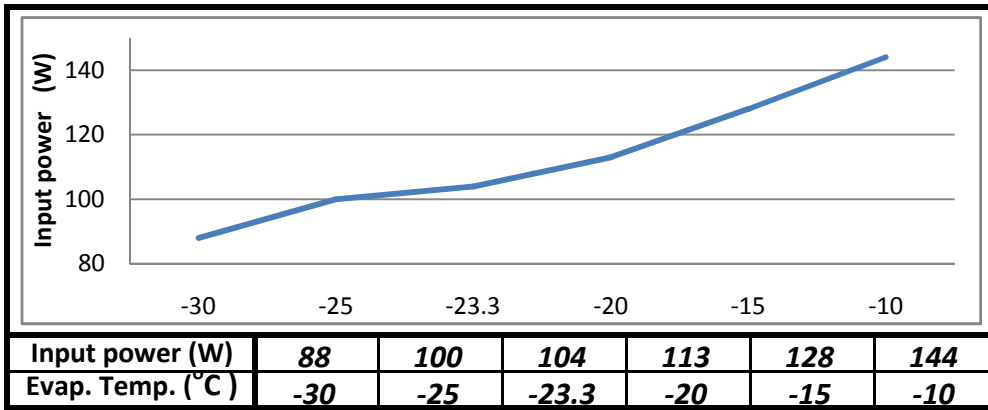
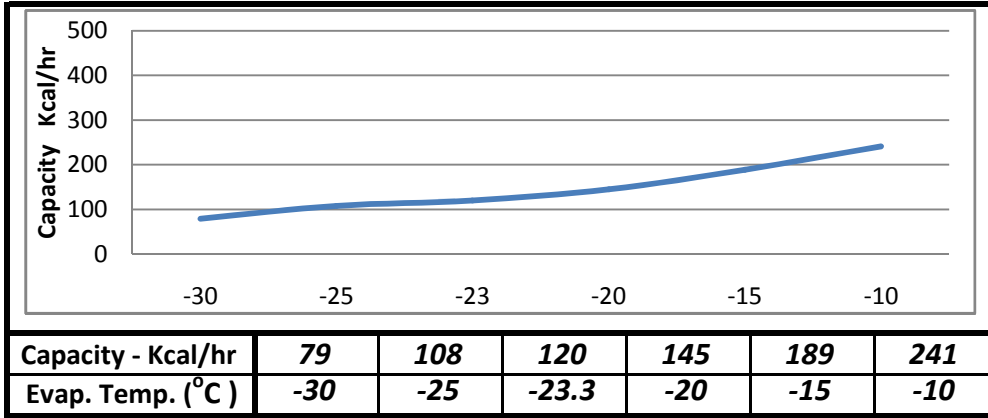
Tubes Down

10th of Ramadan City - (Cairo) Egypt
Industrial Zone A-2
P.o Box : 1001 (10th of Ramadan)
Tel. : 0554 - 413322 (10 lines)
Fax. : 0554 - 413161 - 413029
Web site : <http://www.zmcegypt.com>



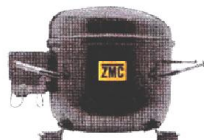
العاشر من رمضان
المنطقة الصناعية أ - ٢
ص.ب : ١٠٠١ العاشر من رمضان
تليفون : ٤١٣٣٢٢ - ٠٥٥٤ (١٠ خطوط)
فاكس : ٤١٣١٦١ - ٤١٣٠٢٩ (٠٥٥٤)

PERFORMANCE CURVE DATA :



Test Condition: Ashrae, Static, Return Gas 32°C Subcooling OK, Evaporating: 23.3°C, Condensing: 55°C , Ambient: 32°C

10th of Ramadan City - (Cairo) Egypt
 Industrial Zone A-2
 P.o Box : 1001 (10th of Ramadan)
 Tel. : 0554 - 413322 (10 lines)
 Fax. : 0554 - 413161 - 413029
 Web site : <http://www.zmcegypt.com>



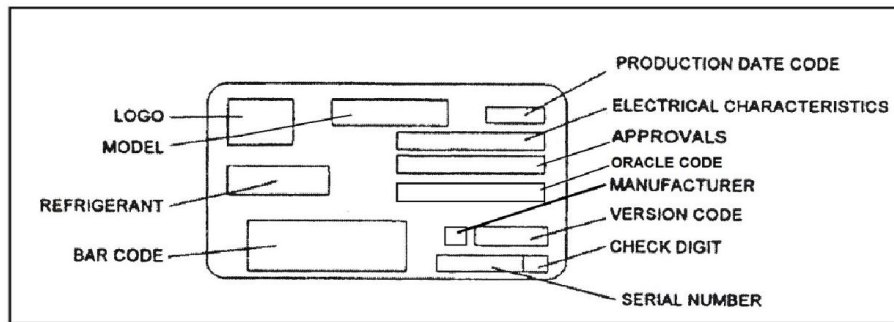
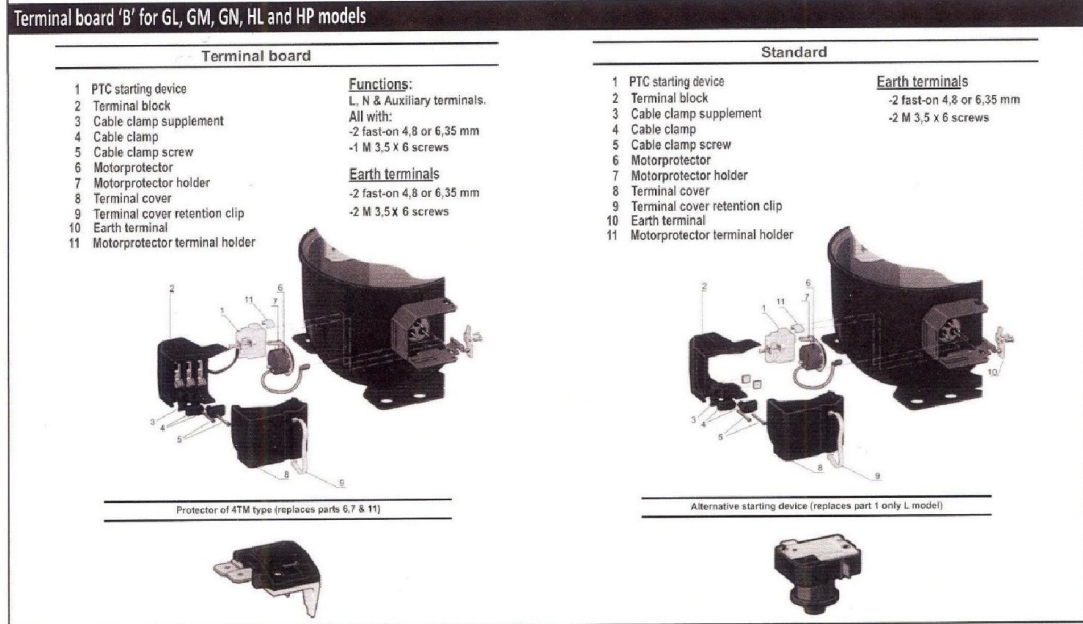
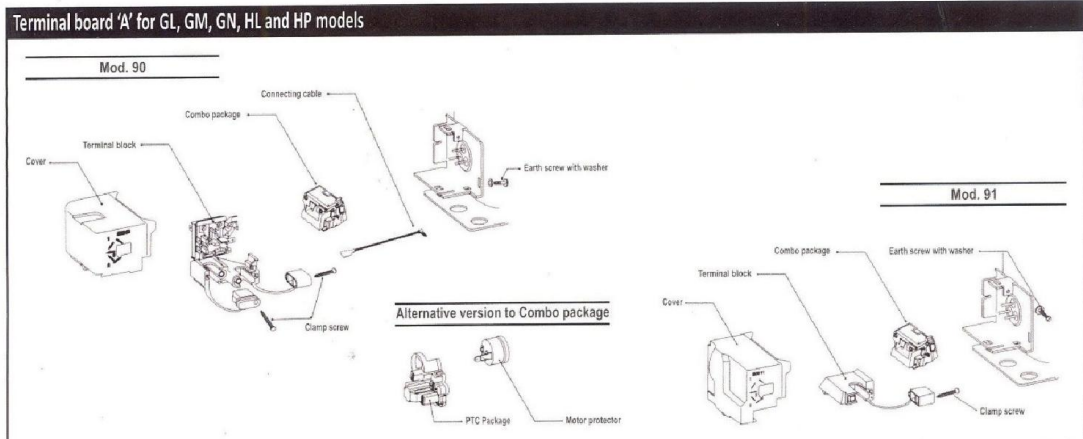
العاشر من رمضان
 المنطقة الصناعية أ - ٢
 ص.ب : ١٠٠١ العاشر من رمضان
 تليفون : ٤١٣٣٢٢ - ٠٥٥٤ (١٠ خطوط)
 فاكس : ٤١٣١٦١ - ٤١٣٠٢٩ (٠٥٥٤)

GM, GN and GL models		HL and HP models	
Standard dimensions for mounting hole centres: 170x70 mm			
<i>Special feet</i>			
Models	Distance between holes	Holes diameter	
GM/GN/HL/HP/GP	165 x 101.6	4 x 19	
	170 x 70	6 x 165	
Tube internal diameter "GM", "GN", "GL", "HL"		"HP" and "GP"	
Material	Suction	Service	Discharge
Copper steel / copper	6.1	6.1	4.9
Copper	6.1	6.1	5.1
Copper	6.5	6.5	4.9
Copper	8.1	8.1	6.5

Mounting accessories

Standard	Standard





10th of Ramadan City - (Cairo) Egypt
Industrial Zone A-2
P.o Box : 1001 (10th of Ramadan)
Tel. : 0554 - 413322 (10 lines)
Fax. : 0554 - 413161 - 413029
Web site : <http://www.zmcegypt.com>



العاشر من رمضان
المنطقة الصناعية أ - ٢
ص.ب : ١٠٠١ العاشر من رمضان
تليفون : ٤١٣٣٢٢ - ٠٥٥٤ (١٠ خطوط)
فاكس : ٤١٣١٦١ - ٤١٣٠٢٩ (٠٥٥٤)