

## Compressor Technical Data

Model **HPT14AH** Code **191020397413**

**LBP**

### General Data

Refrigerant: R600a  
 Application: LBP  
 Evaporating Temperature Range: -30°C to -10°C  
 Voltage/Frequency: 220-240V 50Hz 1~  
 Compressor Cooling: Static  
 Expansion Device: Capillary Tube  
 Packaging Quantity: Multi - 96:120 pcs  
 Approvals: CE-GOST



### Mechanical Data

Oil Charge: 300 cm3  
 Oil Type Configuration: Mineral  
 Oil Type Viscosity: 15 cSt  
 Weight: 11.2 kg

### Electrical Data

Motor Type: RSCR  
 Voltage working range at 50 Hz: 187-264V  
 Maximum Motor Temperature: 130°C  
 Locked Rotor Current: 9.9 / 4.9 A  
 Start Winding Resistance: 19.00 Ω at 25°C  
 Run Winding Resistance: 11.90Ω at 25°C  
 Phase : 1 ph

### External Characteristics

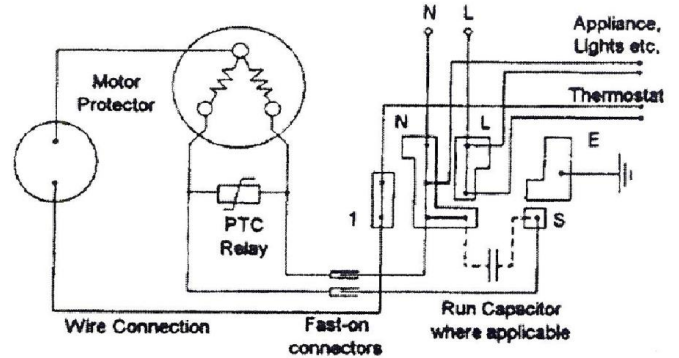
Internal Diameter (mm)  
 Suction Connector 6.5  
 Discharge Connector 4.9  
 Process Connector 6.5  
 Material Copper

### Electrical Components

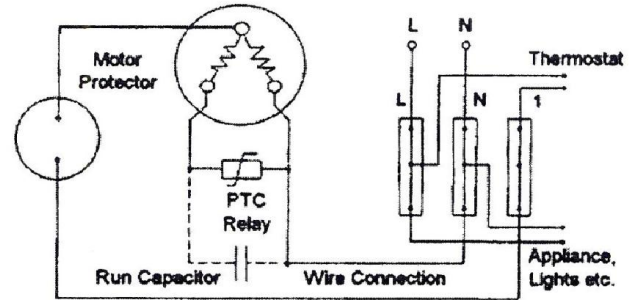
Component Type  
 Starting Device: PTC 14Ω  
 Motor Protection: T0500/xx  
 4μF

MCMC compressors reserves the right to change the data without prior notice

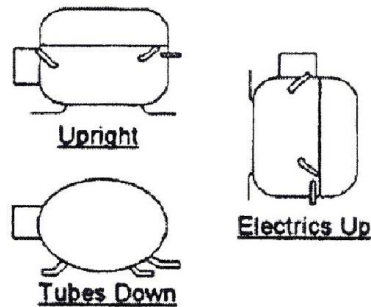
Circuit Diagram for Mod.90 Terminal Board



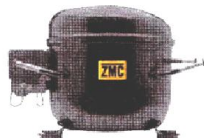
Circuit Diagram for U.H. Terminal Board



Recommended Transport Positions when fitted into appliances

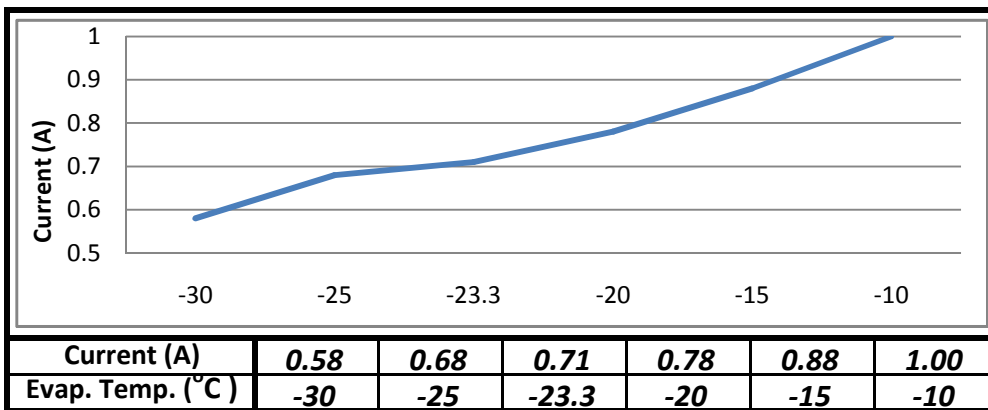
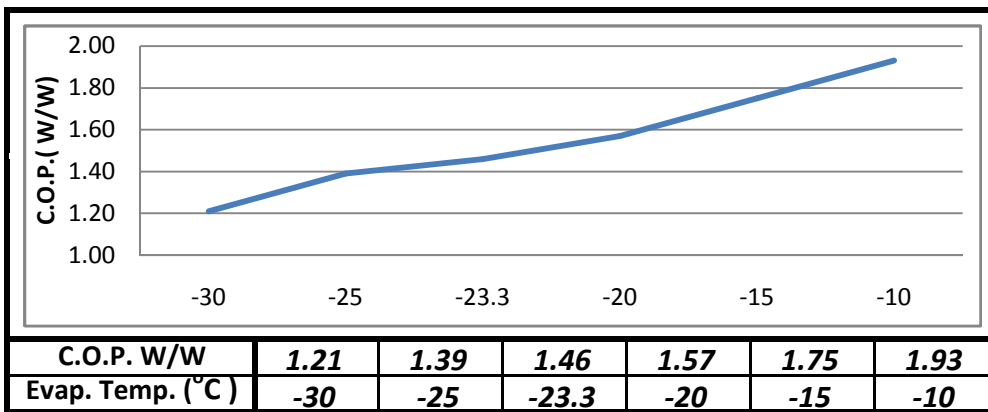
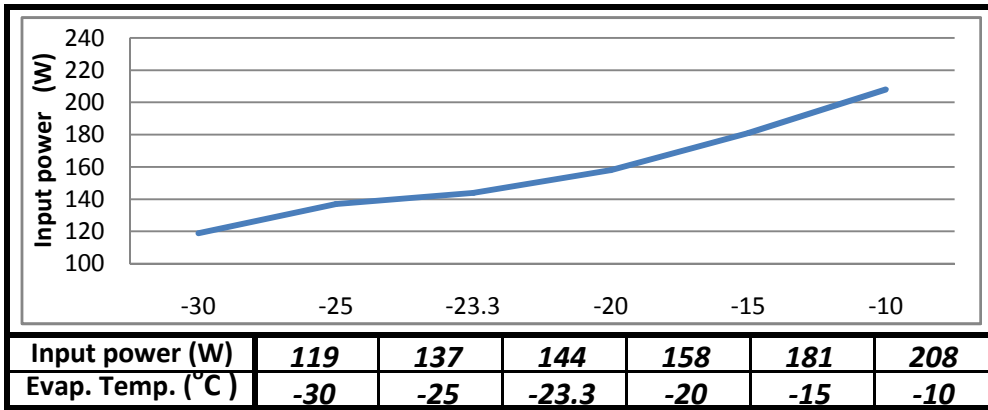
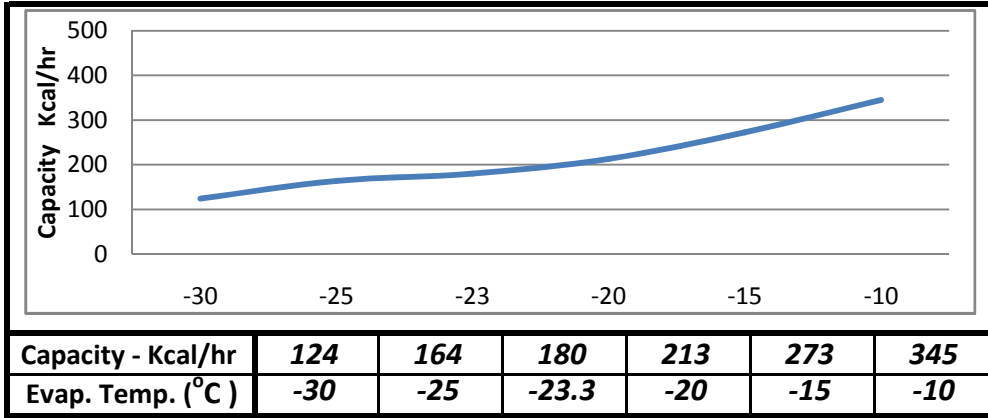


10th of Ramadan City - (Cairo) Egypt  
 Industrial Zone A-2  
 P.o Box : 1001 ( 10th of Ramadan )  
 Tel. : 0554 - 413322 ( 10 lines )  
 Fax. : 0554 - 413161 - 413029  
 Web site : http://www.zmcegypt.com



العاشر من رمضان  
 المنطقة الصناعية أ - ٢  
 ص.ب : ١٠٠١ العاشر من رمضان  
 تليفون : ٤١٣٣٢٢ - ٠٥٥٤ ( ١٠ خطوط )  
 فاكس : ٤١٣١٦١ - ٤١٣٠٢٩ ( ٠٥٥٤ )

**PERFORMANCE CURVE DATA :**



Test Condition: Ashrae, Static, Return Gas 32°C Subcooling OK, Evaporating: 23.3°C, Condensing: 55°C , Ambient: 32°C

10th of Ramadan City - (Cairo) Egypt  
 Industrial Zone A-2  
 P.o Box : 1001 ( 10th of Ramadan )  
 Tel. : 0554 - 413322 ( 10 lines )  
 Fax. : 0554 - 413161 - 413029  
 Web site : <http://www.zmcegypt.com>



العاشر من رمضان  
 المنطقة الصناعية أ - ٢  
 ص.ب : ١٠٠١ العاشر من رمضان  
 تليفون : ٤١٣٣٢٢ - ٠٥٥٤ ( ١٠ خطوط )  
 فاكس : ٤١٣١٦١ - ٤١٣٠٢٩ ( ٠٥٥٤ )

GM, GN and GL models		HL and HP models	
Standard dimensions for mounting hole centres: 170x70 mm			
<b>Special feet</b>			
Models	Distance between holes	Holes diameter	
GM/GN/HL/HP/GP	165 x 101.6	4 x 19	
	170 x 70	6 x 165	
Tube internal diameter "GM", "GN", "GL", "HL"		"HP" and "GP"	
Material	Suction	Service	Discharge
Copper steel / copper	6.1	6.1	4.9
Copper	6.1	6.1	5.1
Copper	6.5	6.5	4.9
Copper	8.1	8.1	6.5

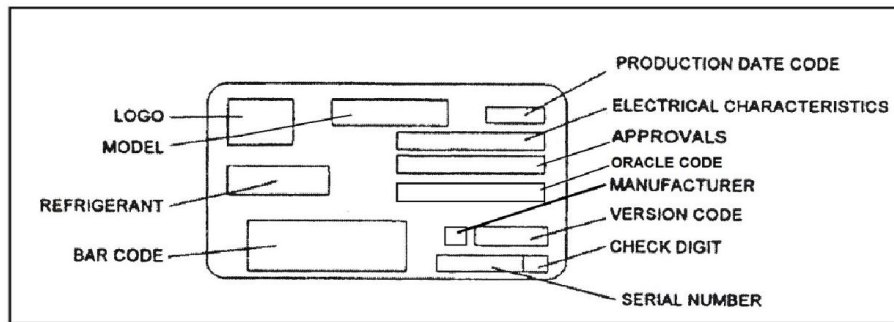
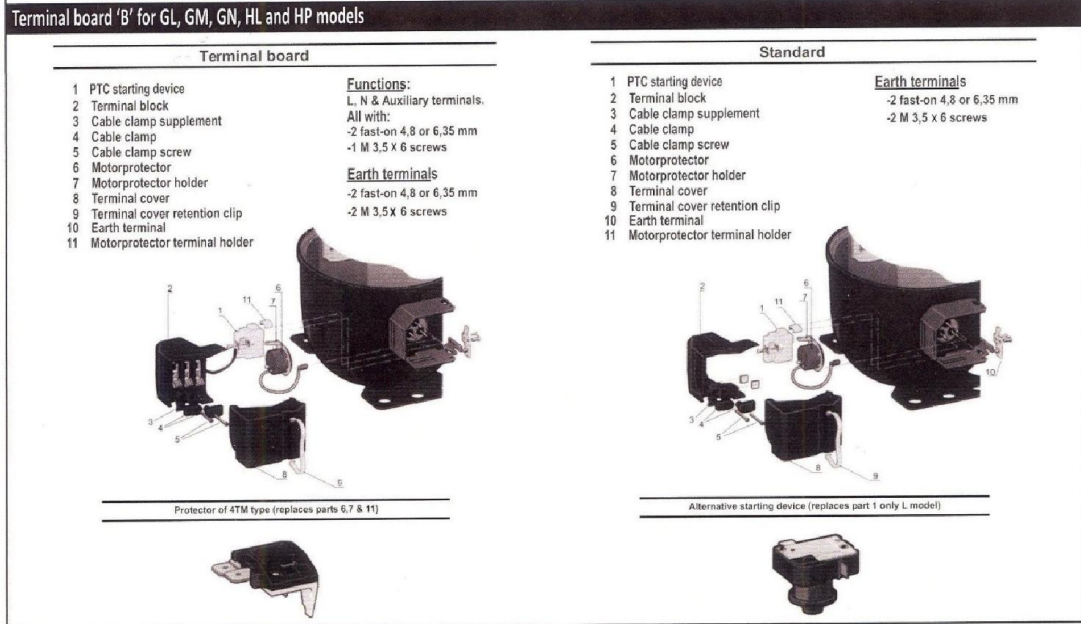
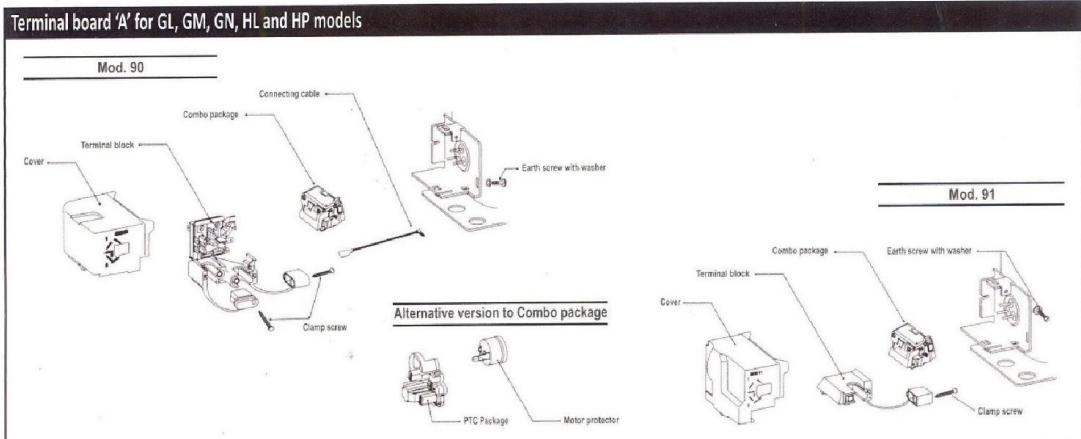
**Mounting accessories**

Standard	Standard

10th of Ramadan City - (Cairo) Egypt  
 Industrial Zone A-2  
 P.o Box : 1001 ( 10th of Ramadan )  
 Tel. : 0554 - 413322 ( 10 lines )  
 Fax. : 0554 - 413161 - 413029  
 Web site : <http://www.zmcegypt.com>



العاشر من رمضان  
 المنطقة الصناعية أ - ٢  
 ص.ب : ١٠٠١ العاشر من رمضان  
 تليفون : ٤١٣٣٢٢ - ٠٥٥٤ ( ١٠ خطوط )  
 فاكس : ٤١٣١٦١ - ٤١٣٠٢٩ ( ٠٥٥٤ )



10th of Ramadan City - (Cairo) Egypt  
 Industrial Zone A-2  
 P.o Box : 1001 ( 10th of Ramadan )  
 Tel. : 0554 - 413322 ( 10 lines )  
 Fax. : 0554 - 413161 - 413029  
 Web site : <http://www.zmcegypt.com>



العاشر من رمضان  
 المنطقة الصناعية أ - ٢  
 ص.ب : ١٠٠١ العاشر من رمضان  
 تليفون : ٠٥٥٤ - ٤١٣٣٢٢ ( ١٠ خطوط )  
 فاكس : ٠٥٥٤ - ٤١٣١٦١ - ٤١٣٠٢٩