

Compressor Technical Data

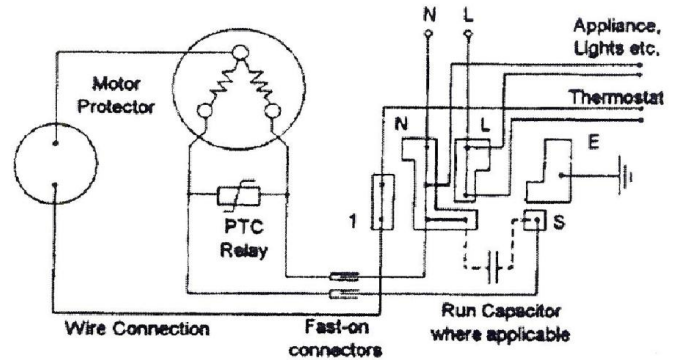
Model **GL80AD** Code **431040311716**

LBP

General Data

Refrigerant: R134a
 Application: LBP
 Evaporating Temperature Range: -30°C to -10°C
 Voltage/Frequency: 115V-60Hz 1~
 Compressor Cooling: Static
 Expansion Device: Capillary Tube
 Packaging Quantity: Multi - 96:120 pcs
 Approvals:

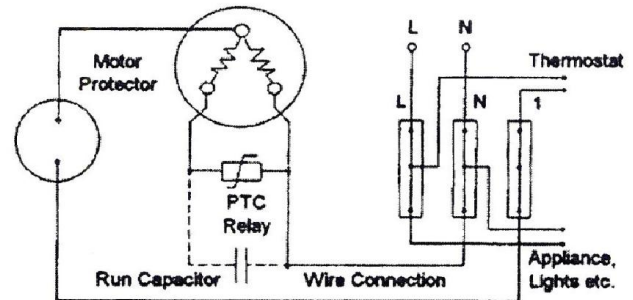
Circuit Diagram for Mod.90 Terminal Board



Mechanical Data

Oil Charge: 345 cm3
 Oil Type Configuration: ester
 Oil Type Viscosity: 19 cSt
 Weight: 9.80 kg

Circuit Diagram for U.H. Terminal Board



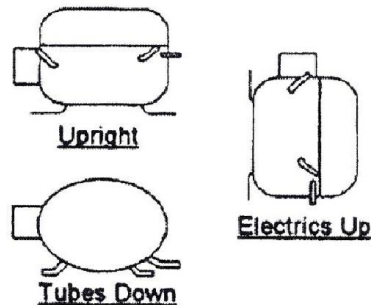
Electrical Data

Motor Type: RSIR
 Voltage working range at 60 Hz: 92-127V
 Maximum Motor Temperature: 130°C
 Locked Rotor Current: 27.3 / 22.3 A
 Start Winding Resistance: 4.60 Ω at 25°C
 Run Winding Resistance: 1.78 Ω at 25°C
 Phase : 1 ph

Recommended Transport Positions when fitted into appliances

External Characteristics

Internal Diameter (mm)
 Suction Connector 6.5
 Discharge Connector 4.9
 Process Connector 6.5
 Material Copper

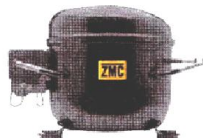


Electrical Components

Component Type
 Starting Device: PTC 4.7Ω
 Motor Protection: T0315/xx

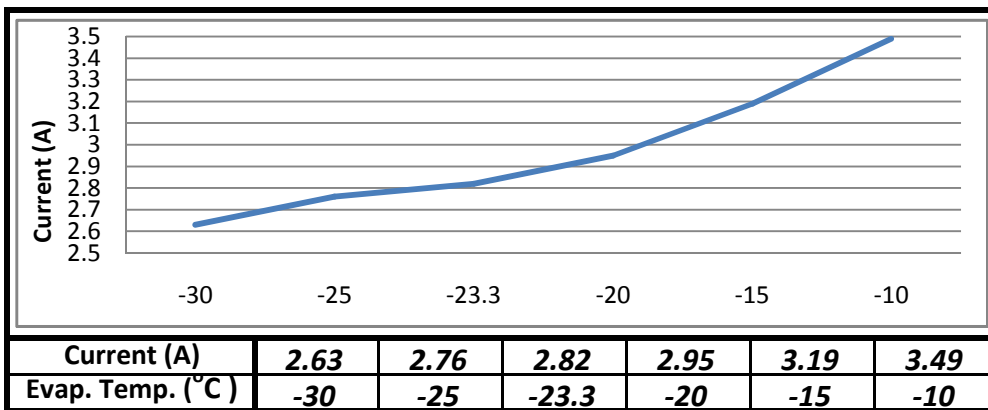
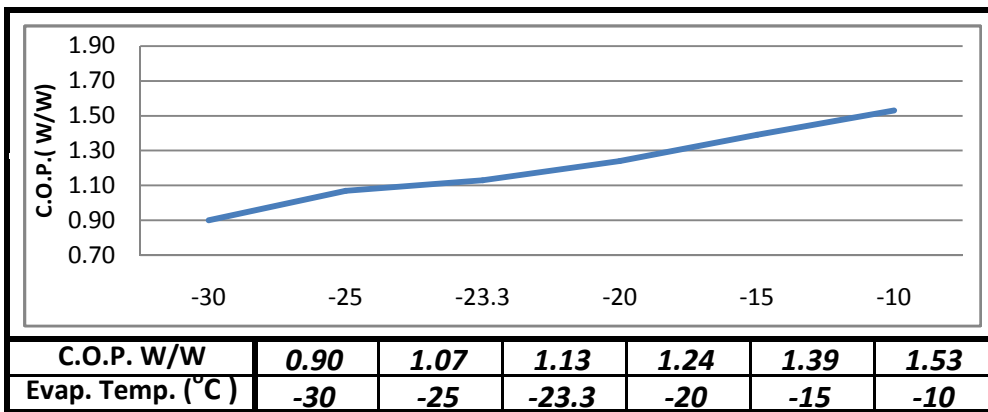
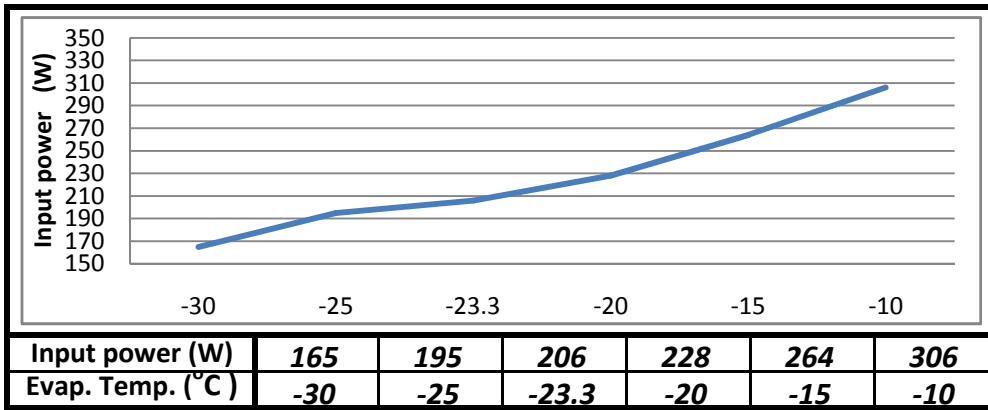
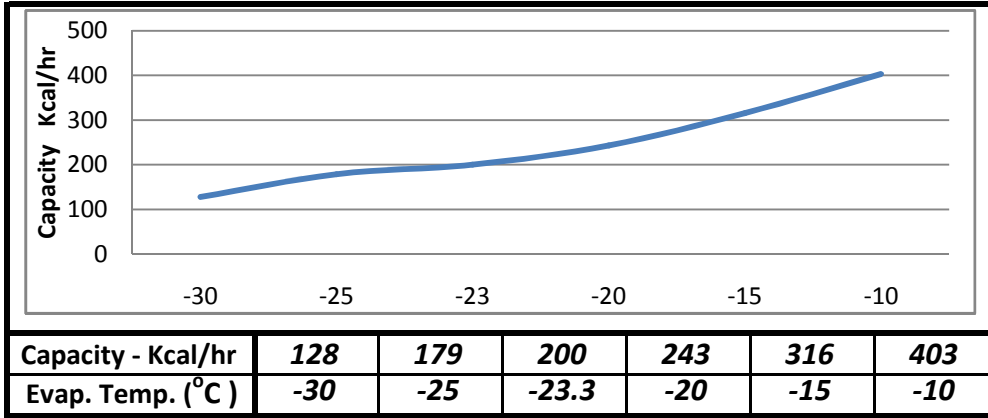
MCMC compressors reserves the right to change the data without prior notice

10th of Ramadan City - (Cairo) Egypt
 Industrial Zone A-2
 P.o Box : 1001 (10th of Ramadan)
 Tel. : 0554 - 413322 (10 lines)
 Fax. : 0554 - 413161 - 413029
 Web site : http://www.zmcegypt.com



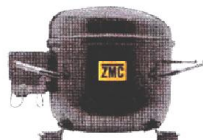
العاشر من رمضان
 المنطقة الصناعية أ - ٢
 ص.ب : ١٠٠١ العاشر من رمضان
 تليفون : ٤١٣٣٢٢ - ٠٥٥٤ (١٠ خطوط)
 فاكس : ٤١٣١٦١ - ٤١٣٠٢٩ (٠٥٥٤)

PERFORMANCE CURVE DATA :



Test Condition: Ashrae, Static, Return Gas 32°C Subcooling OK, Evaporating: 23.3°C, Condensing: 55°C , Ambient: 32°C

10th of Ramadan City - (Cairo) Egypt
 Industrial Zone A-2
 P.o Box : 1001 (10th of Ramadan)
 Tel. : 0554 - 413322 (10 lines)
 Fax. : 0554 - 413161 - 413029
 Web site : <http://www.zmcegypt.com>

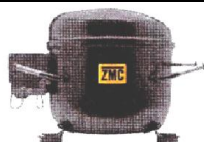


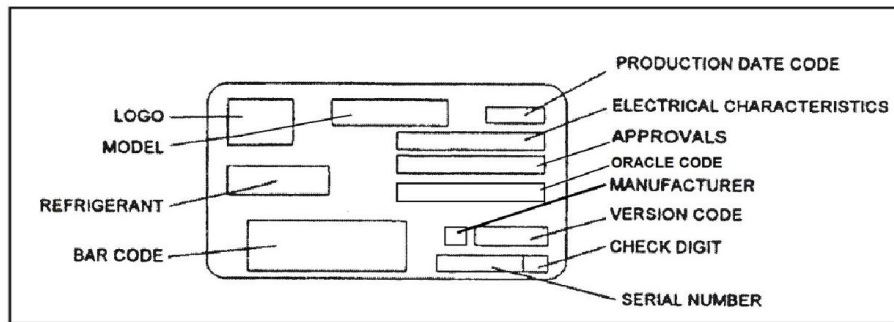
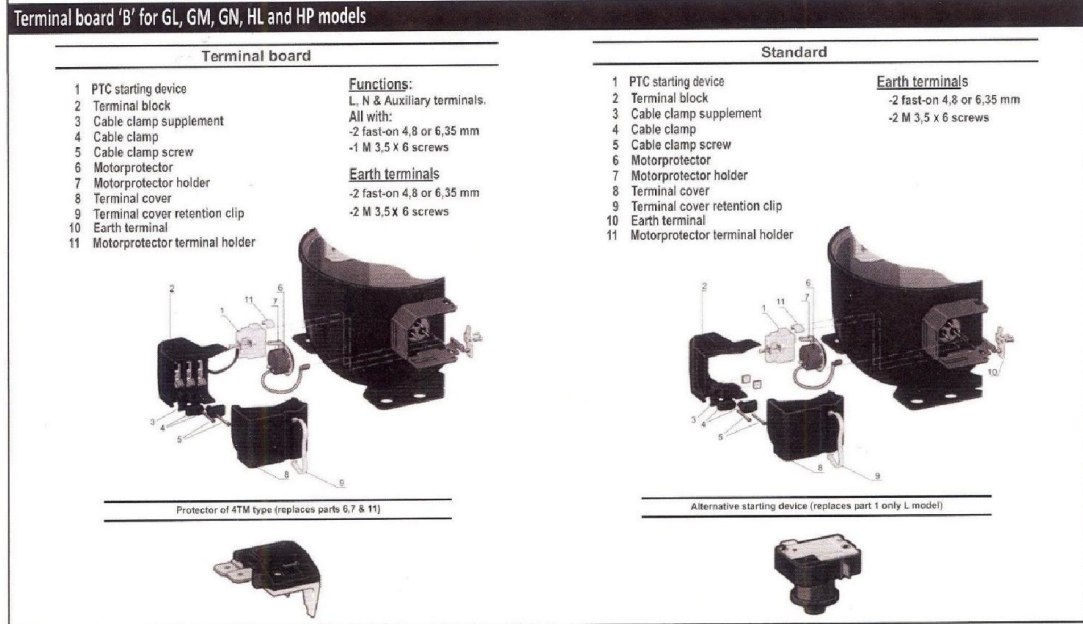
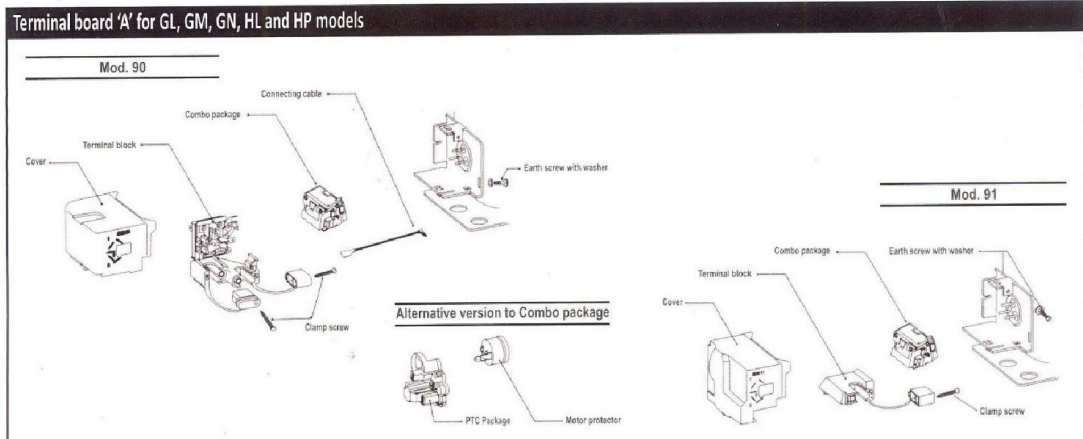
العاشر من رمضان
 المنطقة الصناعية أ - ٢
 ص.ب : ١٠٠١ العاشر من رمضان
 تليفون : ٤١٣٣٢٢ - ٠٥٥٤ (١٠ خطوط)
 فاكس : ٤١٣١٦١ - ٤١٣٠٢٩ (٠٥٥٤)

GM, GN and GL models		HL and HP models	
Standard dimensions for mounting hole centres: 170x70 mm			
<i>Special feet</i>			
Models	Distance between holes	Holes diameter	
GM/GN/HL/HP/GP	165 x 101.6	4 x 19	
	170 x 70	6 x 165	
Tube internal diameter "GM", "GN", "GL", "HL"		"HP" and "GP"	
Material	Suction	Service	Discharge
Copper steel / copper	6.1	6.1	4.9
Copper	6.1	6.1	5.1
Copper	6.5	6.5	4.9
Copper	8.1	8.1	6.5

Mounting accessories

Standard	Standard





10th of Ramadan City - (Cairo) Egypt
 Industrial Zone A-2
 P.o Box : 1001 (10th of Ramadan)
 Tel. : 0554 - 413322 (10 lines)
 Fax. : 0554 - 413161 - 413029
 Web site : <http://www.zmcegypt.com>



العاشر من رمضان
 المنطقة الصناعية أ - ٢
 ص.ب : ١٠٠١ العاشر من رمضان
 تليفون : ٠٥٥٤ - ٤١٣٣٢٢ (١٠ خطوط)
 فاكس : ٠٥٥٤ - ٤١٣٠٢٩ - ٤١٣١٦١